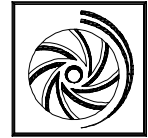




PRICE PUMP CO.

XJ /JB PARTS LIST

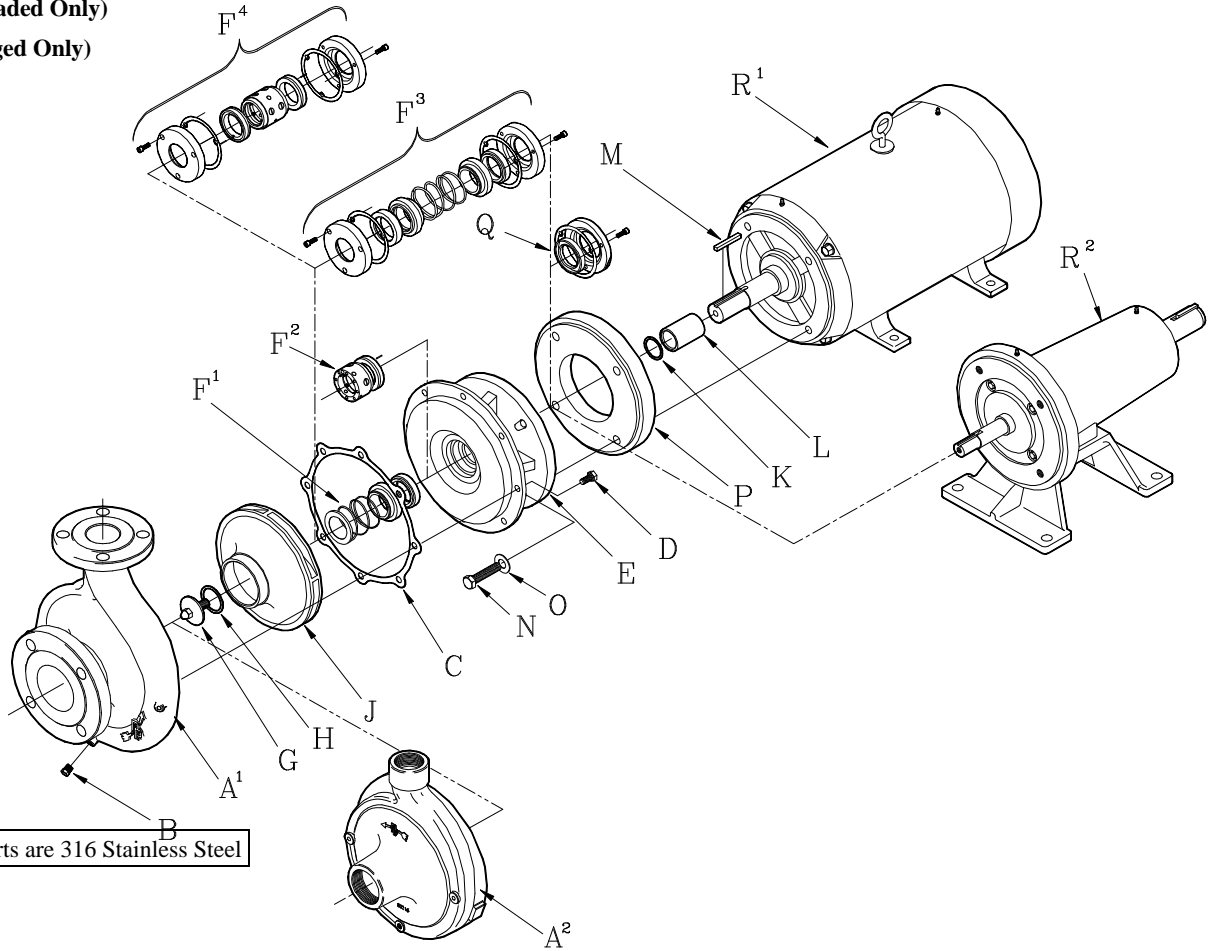
Effective: June 26, 1997



For Sizes:

- 1 x 1½ 8**
- 1½ x 2-8 (Threaded Only)**
- 1½ x 3-8 (Flanged Only)**
- 2 x 3 -8**

**Continued on
Back**



Note: All wetted parts are 316 Stainless Steel

<p>A¹. Volute (Flanged) (316SS)</p> <p style="padding-left: 20px;">1 x 1½8 (XJ100) 2620</p> <p style="padding-left: 20px;">1½ x 3-8 (XJ150) 2622</p> <p style="padding-left: 20px;">2 x 3-8 (XJ200) 2624</p> <p>A². Volute (Threaded Opt) (316SS)</p> <p style="padding-left: 20px;">1 x 1½8 (JB100) 4002</p> <p style="padding-left: 20px;">1½ x 2-8 (JB150) 4003</p> <p style="padding-left: 20px;">2 x 3-8 (JB200) 4000</p>	<p>B. 1/8" Pipe Plug (1 rqd std, 3 others opt)(316SS) 0559</p> <p>C. Volute Gasket, PTFE 4035</p> <p>D. Volute Bolts (8 rqd) (316SS) 0724</p> <p>E. Bracket (316SS)</p> <p style="padding-left: 20px;">Single Seal (std) 4010</p> <p style="padding-left: 20px;">Double Seal 4010-1</p> <p style="padding-left: 20px;">Single Flush 4010-2</p> <p style="padding-left: 20px;">Quench & Flush 4010-3</p> <p style="padding-left: 20px;">Internal Flush 4010-4</p>	<p><u>XJ/JB</u></p>
--	--	----------------------------

Price® Pump Company

21775 8th Street East ♦ P.O. Box Q ♦ Sonoma, CA 95476-0329 ♦ (707) 938-8441 ♦ Fax (707) 938-0764

XJ/JB Parts List - Continued

Page 2 of 2

		<u>XJ/JB</u>	
F ¹ .	T.21 Fluorocarbon Single Seal/Seat (std)	0122	
F ² .	T.9 PTFE Single Seal/Seat (opt)	0123	
	Seat Pin for T.9 (not shown)	0890	
F ³ .	T.21 Fluorocarbon Double Seal/Seat (opt)	1024	
	Double Seal Plate T.21 (2 rqd)	0309	
	Plate Gasket, PTFE (2 rqd)	0505	
	Seal Plate Bolts (6 rqd)	0977	
F ⁴ .	T.9 PTFE Double Seal/Seat (opt)	0670	
	Double Seal Plate T.9 (2 rqd)	0309-1	
	Plate Gasket, PTFE (2 rqd)	0505	
	Plate Bolts (6 rqd)	0977	
	Seat Pin for T.9 (2 rqd, not shown)	0890	
		<u>143JM-215JM</u>	<u>254/256JM</u>
G.	Impeller lockdown	0978	4050
H.	Lockdown Gasket, PTFE	0245	4060
J.	Impeller for Flanged Volute **		
	1 x 1½-8 (XJ100)	2621-dia	N/A
	1½ x 3-8 (XJ150)	4024-dia	4026-dia
	2 x 3 -8 (XJ200)	2628-dia	2625-dia
	Impeller for Threaded Volute (opt) **		
	1 x 1½-8 (JB100)	4022-dia	N/A
	1½ x 2-8 (JB150)	4024-dia	4026-dia
	2 x 3 -8 (JB200)	4020-dia	4025-dia
	** For Double Seal Impellers (add "DS"to Impeller P/N. For Example: 2621DS or 4022DS)		
K.	Sleeve Gasket, PTFE	0245	4045
L.	Shaft Sleeve	0127	4040
M.	Impeller Shaft Key	0135	0136
N.	Bracket Bolts (4 rqd)		0595
	143-184JM	0588	
	213JM/215JM	1189	
O.	Bracket Bolt Washers (4 rqd)		
	143-184JM	1137	
	213JM/215JM	1199	
	254JM/256JM		1199
P.	Spacer (Bracket to Motor)	N/A	4055
	Only rqd for 254/256 JM Motors		
Q.	Seal Quench (opt)		Any Frame
	Lip Seal Plate	0309-2	
	Buna Lip Seal	0756	
	Fluorocarbon Lip Seal	0757	
	PTFE Lip Seal	0758	
	Plate Gasket, PTFE (1 rqd)	0505	
	Plate Bolts (3 rqd)	0977	
R ¹ .	Motor		Specify P/N
R ² .	Power Frame		0502

XJ/JB Repair Parts Kits

Includes: PTFE Gasket, SS Shaft Sleeve, Sleeve Gasket, Impeller lockdown Gasket, Loctite

P/N 4095 Kit for 143/215JM

P/N 4096 Kit for 254/256JM

Note: Seal/seat must be ordered in addition to repair kit.

Options: 1½" T.21 & T.9 Single & Double

(XJ-JBPR7 Parts 97 8/24/01)

Price® Pump Company

21775 8th Street East ♦ P.O. Box Q ♦ Sonoma, CA 95476-0329 ♦ (707) 938-8441 ♦ Fax (707) 938-0764